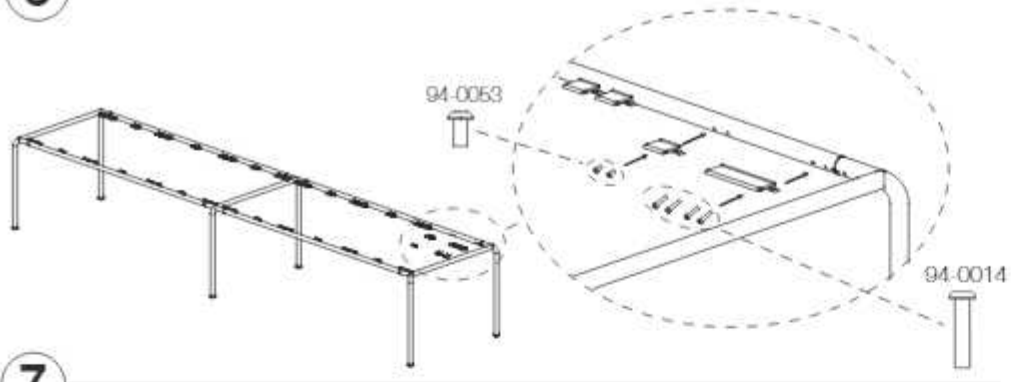
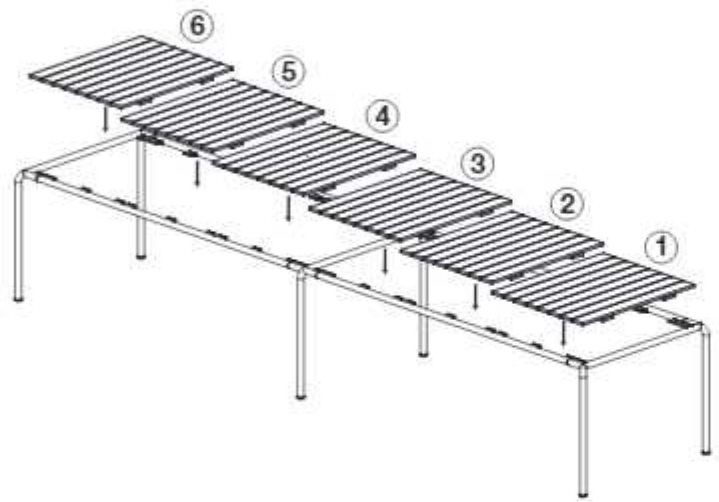


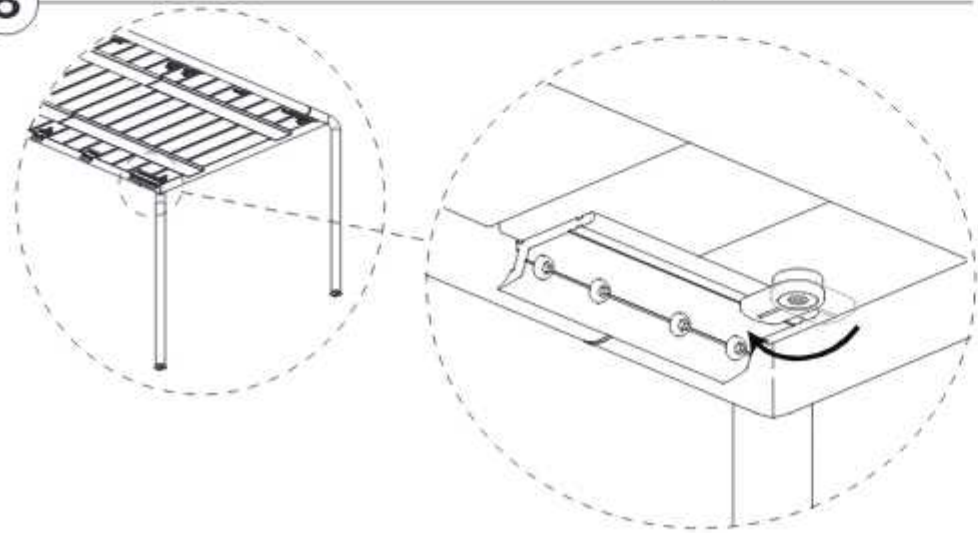
6



7



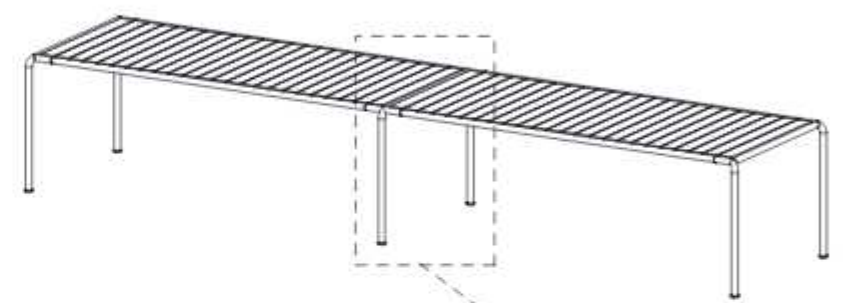
8



# HOUE

**AVANTI DINING TABLE**  
WITH CENTER LEG FOR EXTENSION

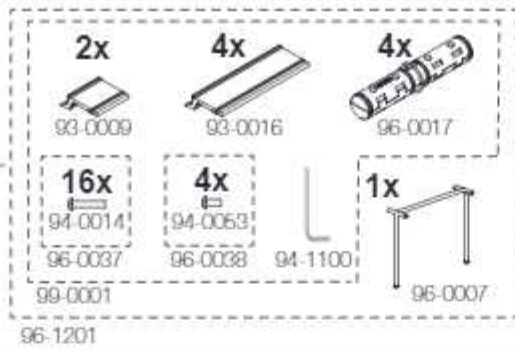
DESIGN BY  
HENRIK PEDERSEN



**ASSEMBLY INSTRUCTION**

**97-0006**

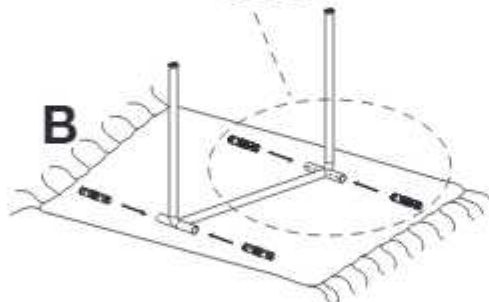
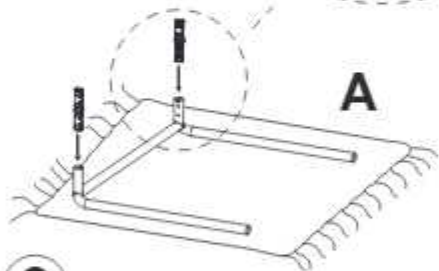
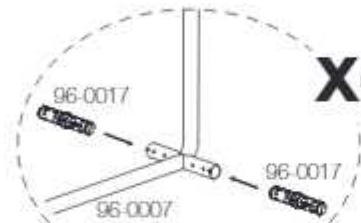
1



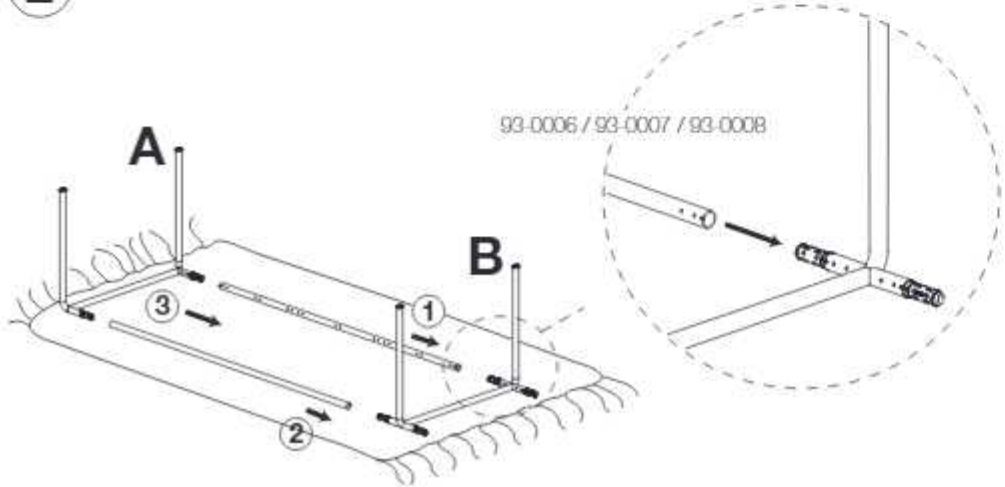
x4



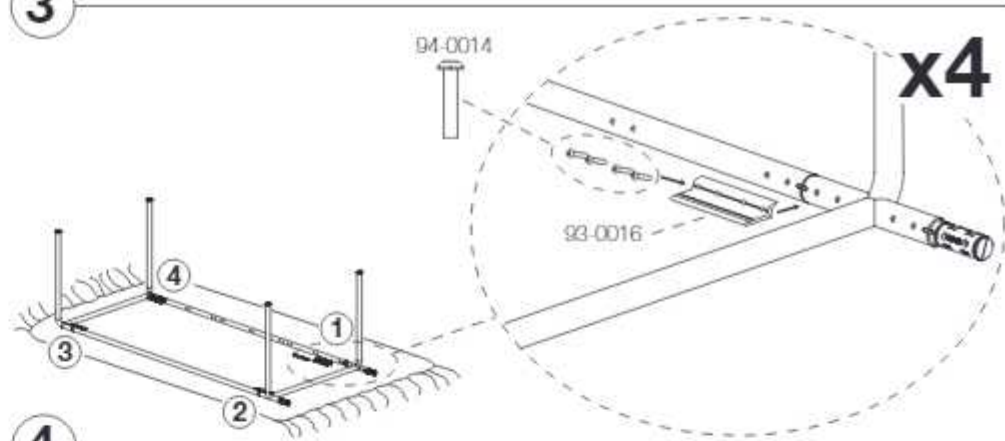
x4



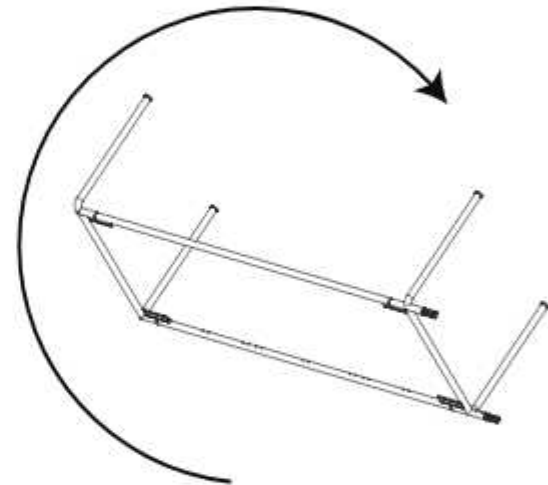
2



3



4



5

